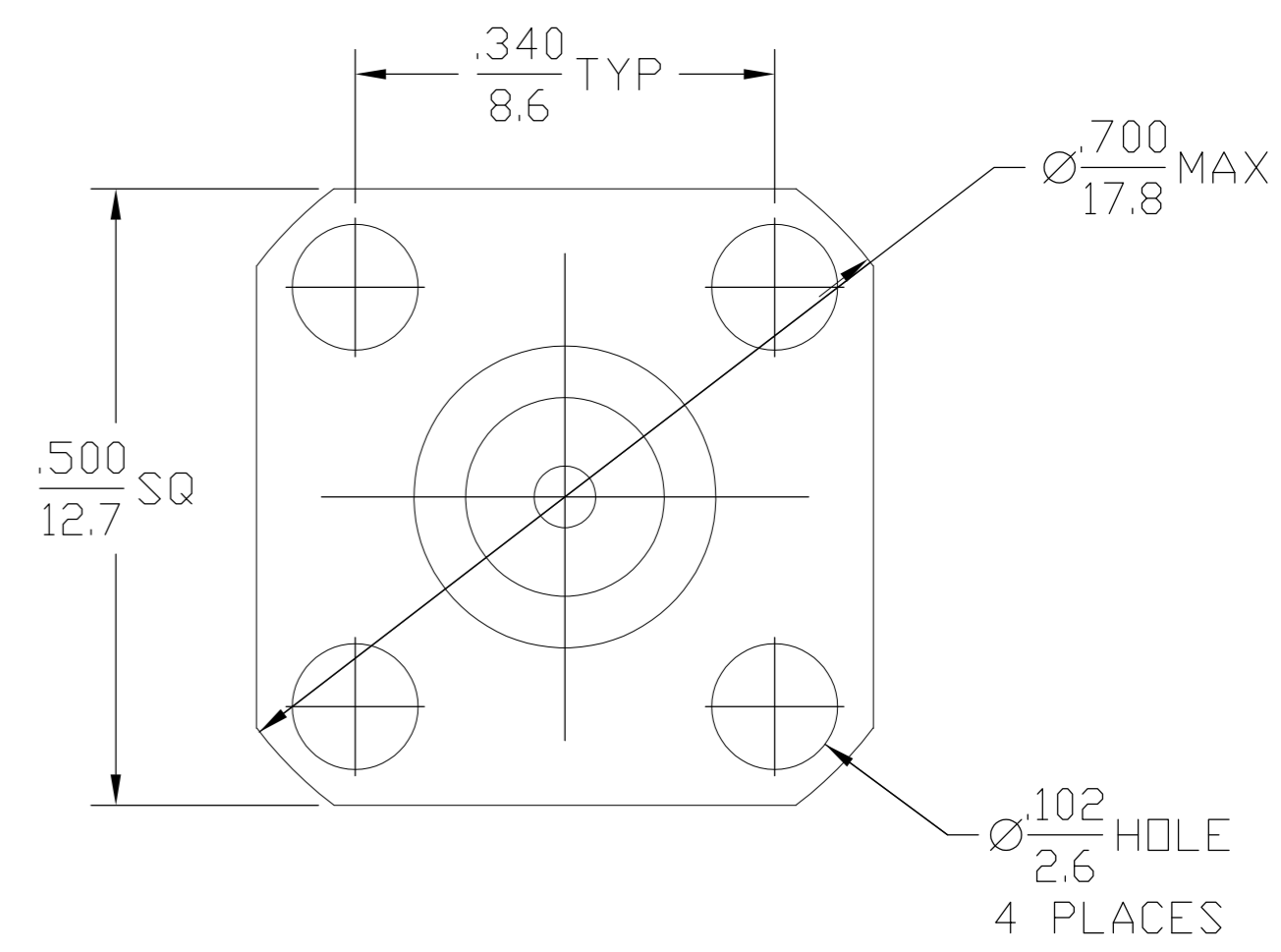
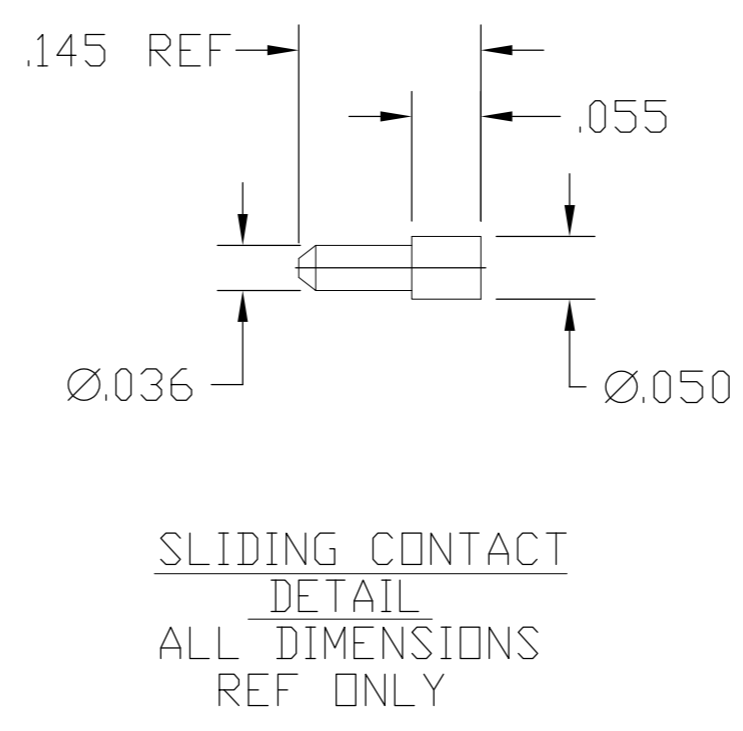
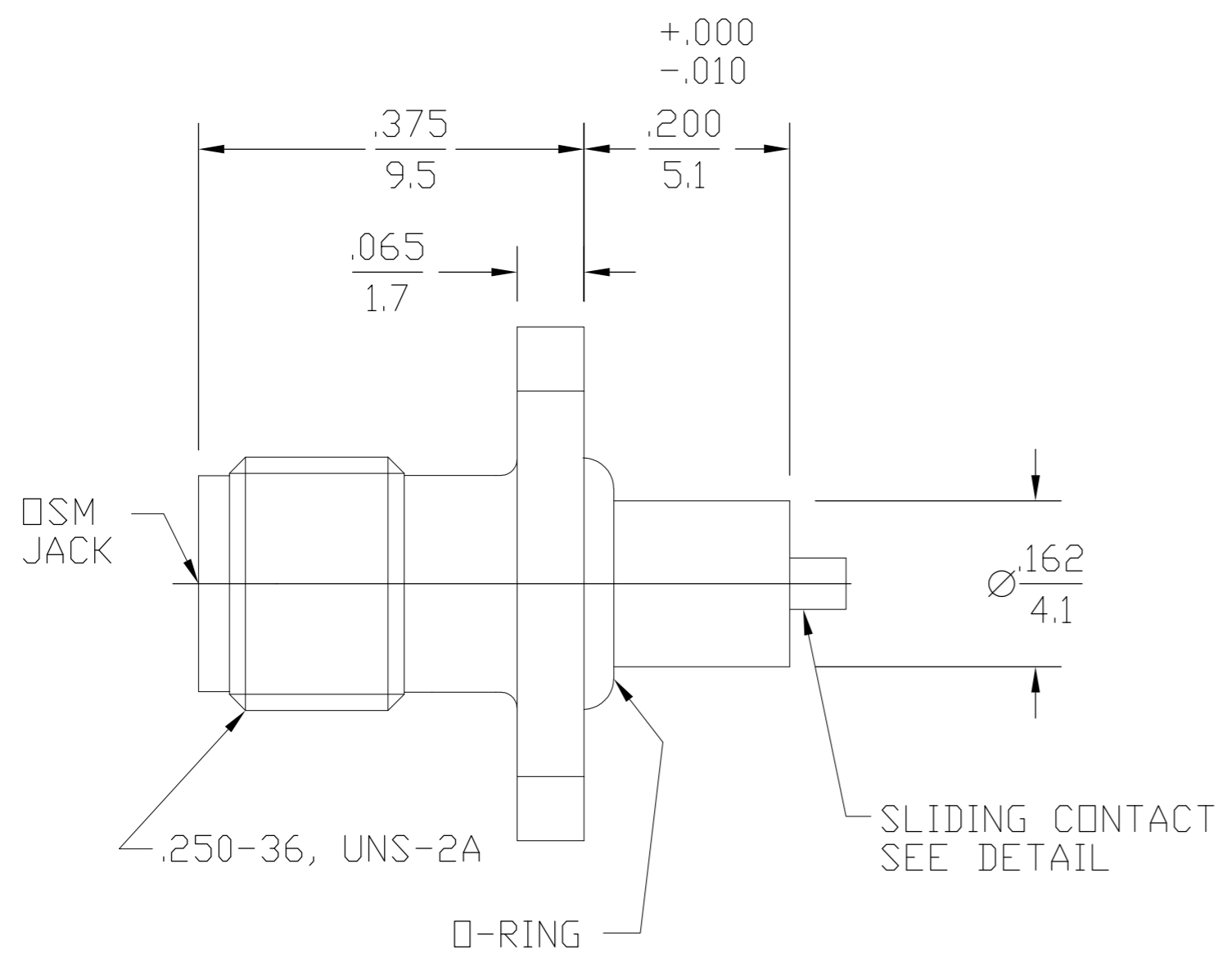


THIS DRAWING IS UNPUBLISHED. RELEASED FOR PUBLICATION
 © COPYRIGHT BY TYCO ELECTRONICS CORPORATION. ALL RIGHTS RESERVED.

LOC	DIST	REVISIONS					
AJ	00	P	LTR	DESCRIPTION	DATE	DWN	APVD
		C		REV PER ECO 09-013106	10JUL09	PY	DW



1091666-1
PART NUMBER

ELECTRICAL	MECHANICAL	ENVIRONMENTAL
Nominal Impedance (Ohms) 50	Interface Dimensions MIL-STD-348, Fig.310-2	TEMPERATURE RATING -65°C TO 125°C
Frequency Range (GHz) DC to 14	Recommended Mating Torque N/A	Vibration MIL-STD-202, Method 204 204, Condition B
Volt Rating (VRMS MAX) @ Sea Level 335	Mating Characteristics: Insertion (MAX Lbs) 3.0	Shock MIL-STD-202, Method 213, Condition I
VSWR N/A	Withdrawal (MIN Oz) 1.0	Thermal Shock MIL-STD-202, Method 107, Condition B,
Insertion Loss (dB MAX) N/A	Force to Engage and Disengage (In/Lbs MAX) 2	Moisture Resistance MIL-STD-202, Method 106, Except Vibration
RF Leakage (dB MIN) N/A	Center Contact Captivation Axial (Lbs) 6.0	Shall Be Omitted
Corona, 70,000 Ft (VRMS MIN) 250	Radial (In/Oz) 4.0	Corrosion - MIL-STD-202, Method 101, Condition B, 5% salt spray
Dielectric Withstanding Voltage (VRMS MIN) @ Sea Level 1000	Weight (Grams) TBD	
Contact Resistance (Milliohms MAX) Center Contact 3		
Outer Contact 2		
Cable to Housing N/A		
RF High Potential @ Sea Level (VRMS MIN @ 5 MHz) 670		
I.R.(Megohms MIN) 5000		

COMPONENT	MATERIAL	FINISH
HOUSING	STAINLESS STEEL PER ASTM-A484 AND ASTM-A582, TYPE 303	PASSIVATE PER QQ-P-35
DIELECTRIC	PTFE FLUOROCARBON PER ASTM-D-1457	N/A
CENTER CONTACT	BERYLLIUM COPPER PER ASTM-B-196 OR ASTM-B-197, ALLOY C17300, CONDITION H OR BRASS PER ASTM-B-16	GOLD PLATE PER MIL-G-45204
O-RING	ETHYLENE PROPYLENE PER ASTM D2000	N/A

.XXX = in
XX.X = mm (REF)

THIS DRAWING IS A CONTROLLED DOCUMENT.

DWN DC	5/16/97	Tyco Electronics Corporation Harrisburg, PA 17105-3608
CHK -	-	
APVD TM	8/21/97	
PRODUCT SPEC	-	
APPLICATION SPEC		NAME OSM 4 HOLE FLANGE MOUNT JACK RECEPTACLE WITH SLIDING CONTACT
MATERIAL -	FINISH -	SIZE A2 CAGE CODE 00779 DRAWING NO C=1091666 RESTRICTED TO -
CUSTOMER DRAWING		SCALE 5:1 SHEET 1 of 1 REV C